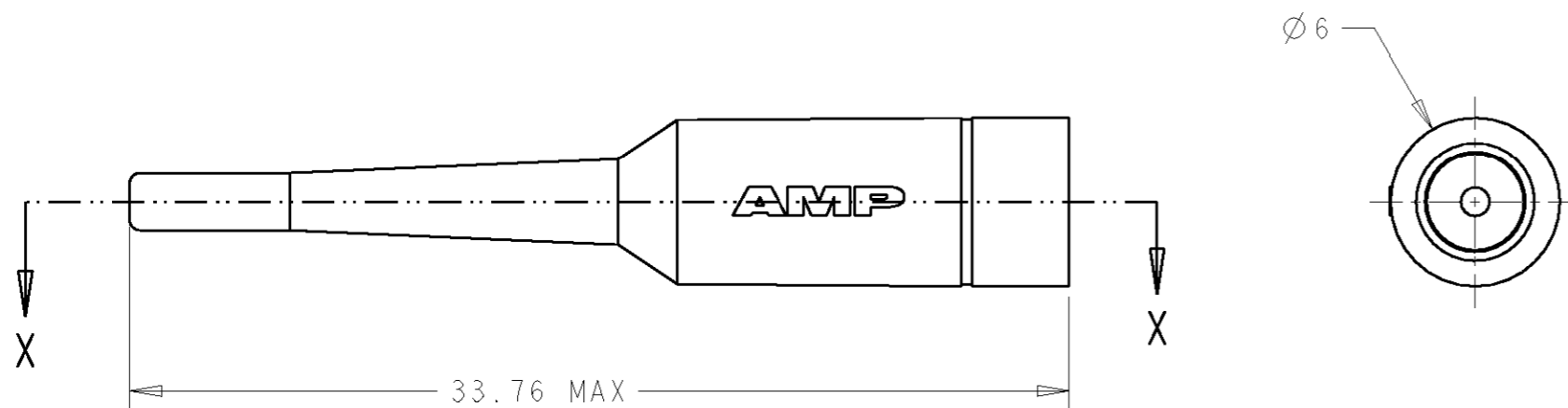
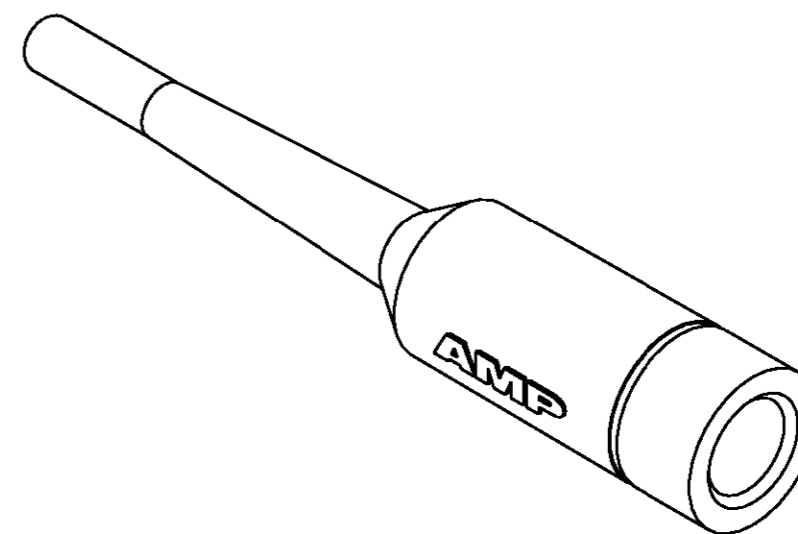
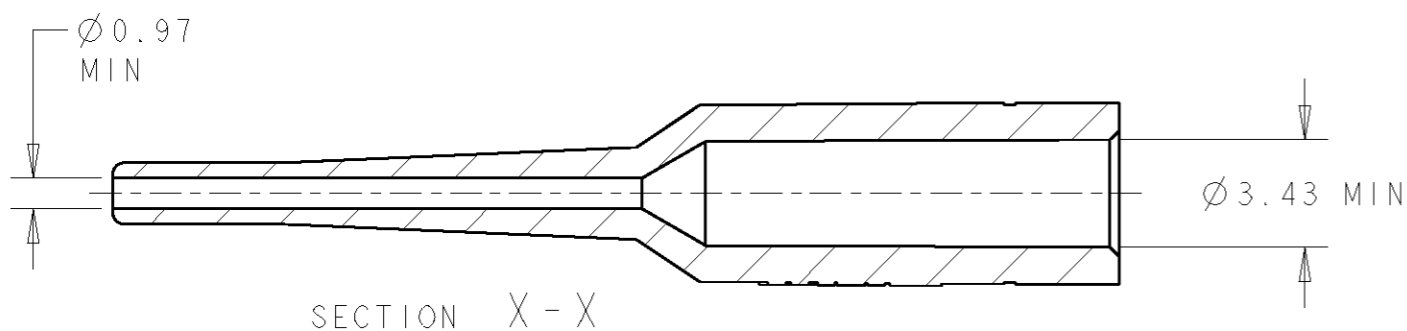


THIS DRAWING IS UNPUBLISHED. RELEASED FOR PUBLICATION 20  
 © COPYRIGHT 20 BY TYCO ELECTRONICS CORPORATION. ALL RIGHTS RESERVED.

LOC	DIST	REVISIONS					
CE	00	P	LTR	DESCRIPTION	DATE	DWN	APVD
			W	REV PER 0A00-0067-03	11FEB03	DDE	LS
			Y	REV PER 0A00-0589-03	10MAY04	KG	SB
			Z	REVISE PER 0A00-0051-05	15FEB2005	BB	SB



RED	2-503628-3
BLUE	503628-8
BLACK	503628-1
COLOR	PART NUMBER

⚠ MATERIAL: TPE, UL94 V-0 RATED AT QUALIFYING THICKNESS. SEE DASH NUMBERS FOR COLOR.

DIMENSIONS:		TOLERANCES UNLESS OTHERWISE SPECIFIED:		DWN		AMP		Tyco Electronics	
mm		0 PLC	±-	D ERDMAN		31AUG94		Harrisburg, PA 17105-3608	
		1 PLC	±-	CHR		31AUG94		NAME BOOT, BARE BUFFER	
		2 PLC	±0.15	J MCKEE		31AUG94			
		3 PLC	±-	APVD		31AUG94			
		4 PLC	±-	J MACKEF		31AUG94			
		ANGLES	±-	PRODUCT SPEC		-			
MATERIAL		FINISH		APPLICATION SPEC		-		SIZE	
⚠		-		WEIGHT		-		A3	
CUSTOMER DRAWING				SCALE		4:1		SHEET	
				REV		Z		RESTRICTED TO	
								-	